



Mini Rear

Compact, Lightweight, Highly Maneuverable

- 8 yd³ to 13 yd³ body sizes available
- 8 yd³ and 10 yd³ bodies can be mounted on non-CDL chassis
- Up to 800 lbs/yd³ compaction
- Container handling options available
- Single piece body walls for increased strength and seamless appearance
- FET exempt
- Large hopper suitable for commercial containers
- Flat floor design
- Fully integrated Labrie CNG system – roof and back of cab mount – 50 to 82 DGE available



Body Specifications	Mini 8yd ³ - 10yd ³	Mid-Range 8yd ³ - 13yd ³
Body Floor	11ga 55,000psi	3/16" 55,000psi
Body Sides	12ga 45,000psi	3/16" 72,000psi
Body Roof	11ga 36,000psi	11ga 36,000psi

Ejector Specifications	Mini 8yd ³ - 10yd ³	Mid-Range 8yd ³ - 13yd ³
Ejector Panel Face Plate	1/8"	1/8"

Packer-Carrier Specs	Mini 8yd ³ - 10yd ³	Mid-Range 8yd ³ - 13yd ³
Compaction ratio (lbs/yd ³)	800	800
Packer Panel Face Plate	3/16" 72,000psi	3/16" 72,000psi
Carrier Panel Face Plate	3/16" 72,000psi	3/16" 72,000psi

Hydraulic Specs	Mini 8yd ³ - 10yd ³	Mid-Range 8yd ³ - 13yd ³
Pump	Gear	Gear
Pump Capacity	13 gpm @ 1200 rpm	22 gpm @ 1200 rpm
Max. Operating Pressure	2,500 psi	2,500 psi
Oil Reservoir	30 gal	30 gal

Hopper Specifications	Mini 8yd ³ - 10yd ³	Mid-Range 8yd ³ - 13yd ³
Hopper Size (yd ³)	1.5	2.2
Hopper Opening Width	75"	80"
Hopper Opening Height	44"	58"
Hopper Depth	14"	17-1/2"
Loading Sill vs Chassis Frame	+1"	-2-1/2"
Hopper Floor	0.197" AR450 175,000psi	0.197" AR450 175,000psi
Hopper Sides	0.197" AR450 175,000psi	0.197" AR450 175,000psi

Cylinder Specifications	Mini 8yd ³ - 10yd ³	Mid-Range 8yd ³ - 13yd ³
Ejector Cylinder (8 yd ³ bodies)	2 stages 5-1/2" bore x 46-7/16" stroke	-
Ejector Cylinder (10 yd ³ bodies)	3 stages 6" bore x 71-7/16" stroke	-
Ejector Cylinder (13 yd ³ bodies)	-	3 stages 6" bore x 71-7/16" stroke
Ejector Cylinder (17 yd ³ bodies)	-	3 stages 6" bore x 86-1/4" stroke
Packer Cylinders	3" bore x 1-3/4" rod x 20" stroke	4" bore x 2-1/2" rod x 23-5/8" stroke
Carrier Cylinders	3-1/4" bore x 1-1/2" rod x 22-7/16" stroke	4" bore x 1-3/4" rod x 28-15/16" stroke
Tailgate Cylinders	3-1/2" bore x 3" rod x 19-5/8" stroke	4" bore x 3-1/2" rod x 24-1/2" stroke

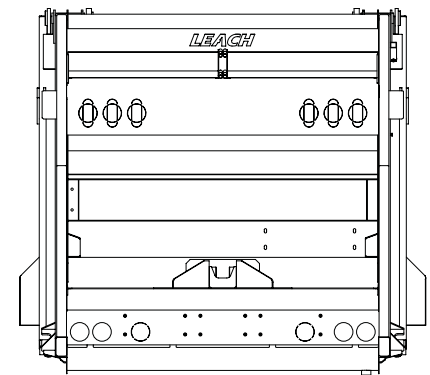
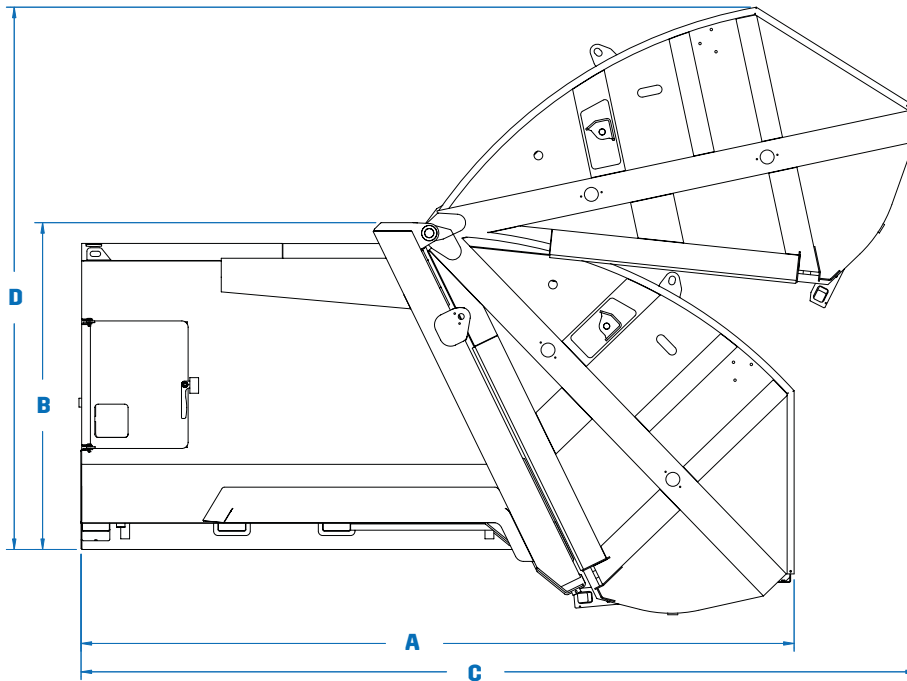
Note: Specifications subject to change without notice



Mini Rear



Performance Specifications	Mini 8yd ³ - 10yd ³	Mid-Range 8yd ³ - 13yd ³
Packer/Carrier Cycle Time	20-23 sec	20-23 sec
Tailgate Open	10 sec @ 700 rpm	10 sec @ 700 rpm
Tailgate Close (with Safety Flow limiter)	30 sec @ 700 rpm	30 sec @ 700 rpm



Body Dimensions	Mini 8yd ³	Mini 10yd ³	Mid-Range 13yd ³
A. Overall Length, Tailgate Closed (in.)	161	187	198
Overall Width (in.)	102	102	102
B. Overall Height Above Frame, Tailgate Closed (in.)	74	74	85
C. Overall Length, Tailgate Open (in.)	189	216	222
D. Overall Height Above Frame, Tailgate Open (in.)	121	121	156



DRIVE EXCELLENCE™

